

# The Classic Series CL

The Classic Series enclosures are designed for general electrical and electronic applications as well as applications requiring broader environmental concerns.

These enclosures enhance the appearance of any instrument installation. They are especially suited for high visibility locations found in both industrial and commercial applications, but the chemical resistance and watertight capabilities make them ideal across a broad spectrum of environmental installations as well.

## Classic Series Attributes

- Available in 2 cover options:
  1. Opaque cover
  2. Flush bonded window
- Stands up to an exceptionally broad range of chemical exposures
- High impact resistance
- Double insulated material. No incidental electrical contact
- Hidden hinge design
- UV Resistant
- Soft edge design, smooth lines, flush cover
- Super abrasion-resistant acrylic window
- High temperature, flame retardant, non-corrosive, environmental designs

## Classic Series Industry Standards

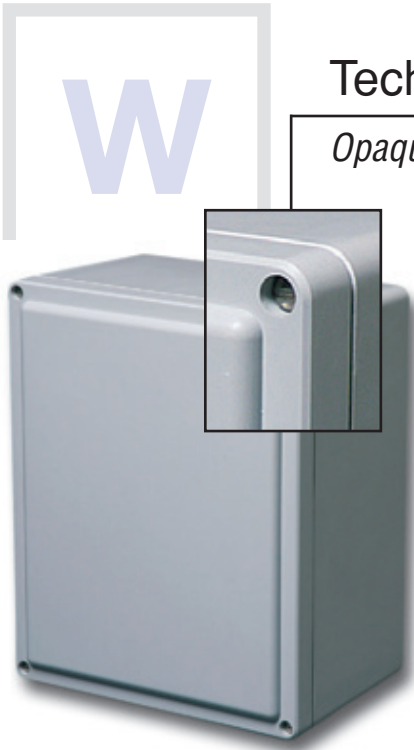
<b>UL/cUL 50</b>	File E64358 Type 1, 3R, 4X, 12
<b>NEMA 250</b>	Type 1, 3, 4X, 12
<b>CSA Std C22.2</b>	File LR069014 Type 1, 3, 4X, 12
<b>UL1741</b>	File E333478 Type 1, 3, 4X, 12 W, HW, HL, HPL
<b>Temperature Range</b>	(-76°F to +274°F) (-60°C to +134°C)
<b>Window Temperature Range</b>	(-26°F to +170°F) (-32°C to +76°C)
<b>Flammability Rating</b>	UL94-5V
<b>Window Flammability</b>	UL94-HB
<b>Self Extinguishing</b>	Non-halogenated, Non-flame propagating
<b>Chemical Resistance</b>	Full chemical resistance charts listed in appendix
<b>NFPA No. 101 Flame Spread</b>	Class A (1)



Classic Series

# Technical Specifications - Classic Series

*Opaque cover "W" configuration - 4 cover screws, lift off cover*



## W Construction

<b>Material</b>	Hot compression molded fiberglass reinforced polyester (thermoset)
<b>Gasket</b>	Poured polyurethane seamless gasket provides watertight, dust-tight environmental seal
<b>Recessed Screws</b>	No protruding surfaces
<b>Stainless Steel Hardware</b>	300 Series stainless used on all external hardware
<b>Mounting Bosses</b>	Panel mounting capability for fixed rear panel
<b>Metal Inserts</b>	All bosses utilize threaded brass inserts accepting 10-32 screws
<b>Soft Edge Design</b>	Rounded edges, minimal protrusions or exposed pocket areas for assembly of dust and debris

## W Industry Standards

<b>UL/cUL 50</b>	File E64358 Type 1, 3, 4X, 12
<b>NEMA 250</b>	Type 1, 3, 4X, 12
<b>CSA Std C22.2</b>	File LR069014 Type 1, 3, 4X, 12
<b>Temperature Range</b>	(-76°F to +274°F) (-60°C to +134°C)
<b>Flammability Rating</b>	UL94-5V
<b>Self Extinguishing</b>	Non-halogenated, Non-flame propagating
<b>Chemical Resistance</b>	Full chemical resistance charts listed in appendix
<b>NFPA No. 101 Flame Spread</b>	Class A (1)

**NOTES:**

## W Accessories

### Back Panels

<b>Aluminum</b>	BP_AL	pg. 149 - 150
<b>Fiberglass</b>	BP_FG	pg. 149 - 150
<b>Stainless Steel</b>	BP_SS	pg. 149 - 150
<b>Carbon Steel</b>	BP_CS	pg. 149 - 150

### Mounting Feet

<b>Mounting Feet</b>	pg. 157
----------------------	---------

### Accessories

<b>Drain &amp; Breather Vents</b>	pg. 144, 146
<b>Hole Plugs</b>	pg. 145
<b>Assorted Hubs and Cord Grips</b>	pg. 145, 148
<b>All Other Accessories</b>	pg. 144 - 159

## W Modifications

<b>Custom Colors</b>	pg. 12 - 13
<b>Silk Screening</b>	pg. 12 - 13
<b>EMI/RFI Shielding</b>	pg. 12 - 13
<b>Custom Window</b>	pg. 12 - 13
<b>Custom Cutouts/Holes</b>	pg. 12 - 13



# Technical Specifications - Classic Series

*Opaque cover "HW" configuration - Hinged, 2 cover screws*



## HW Construction

<b>Material</b>	Hot compression molded fiberglass reinforced polyester (thermoset)
<b>Gasket</b>	Poured polyurethane seamless gasket provides watertight, dust-tight environmental seal
<b>Recessed Screws</b>	No protruding surfaces
<b>Stainless Steel Hardware</b>	300 Series stainless used on all external hardware
<b>Mounting Bosses</b>	Panel mounting capability for fixed rear panel
<b>Metal inserts</b>	All bosses utilize threaded brass inserts accepting 10-32 screws
<b>Soft Edge Design</b>	Rounded edges, minimal protrusions or exposed pocket areas for assembly of dust and debris

## HW Industry Standards

<b>UL/cUL 50</b>	File E64358 Type 1, 3, 4X, 12
<b>NEMA 250</b>	Type 1, 3, 4X, 12
<b>CSA Std C22.2</b>	File LR069014 Type 1, 3, 4X, 12
<b>Temperature Range</b>	(-76°F to +274°F) (-60°C to +134°C)
<b>Flammability Rating</b>	UL94-5V
<b>Self Extinguishing</b>	Non-halogenated, Non-flame propagating
<b>Chemical Resistance</b>	Full chemical resistance charts listed in appendix
<b>NFPA No. 101 Flame Spread</b>	Class A (1)

**NOTES:**

## HW Accessories

### Back Panels

<b>Aluminum</b>	BP_AL	pg. 149 - 150
<b>Fiberglass</b>	BP_FG	pg. 149 - 150
<b>Stainless Steel</b>	BP_SS	pg. 149 - 150
<b>Carbon Steel</b>	BP_CS	pg. 149 - 150

### Mounting Feet

<b>Mounting Feet</b>	pg. 157
----------------------	---------

### Accessories

<b>Drain &amp; Breather Vents</b>	pg. 144, 146
<b>Hole Plugs</b>	pg. 145
<b>Assorted Hubs and Cord Grips</b>	pg. 145, 148
<b>All Other Accessories</b>	pg. 144 - 159

## HW Modifications

<b>Custom Colors</b>	pg. 12 - 13
<b>Silk Screening</b>	pg. 12 - 13
<b>EMI/RFI Shielding</b>	pg. 12 - 13
<b>Custom Window</b>	pg. 12 - 13
<b>Custom Cutouts/Holes</b>	pg. 12 - 13

# Technical Specifications - Classic Series

*Opaque cover "HL" configuration - Hinged, through-the-door latch*



## HL Construction

<b>Material</b>	Hot compression molded fiberglass reinforced polyester (thermoset)
<b>Gasket</b>	Poured polyurethane seamless gasket provides watertight, dust-tight environmental seal
<b>Recessed Screws</b>	No protruding surfaces
<b>Stainless Steel Hardware</b>	300 Series stainless used on all external hardware
<b>Mounting Bosses</b>	Panel mounting capability for fixed rear panel
<b>Metal inserts</b>	All bosses utilize threaded brass inserts accepting 10-32 screws
<b>Soft Edge Design</b>	Rounded edges, minimal protrusions or exposed pocket areas for assembly of dust and debris
<b>Latch Material</b>	Glass filled polyamide

## HL Industry Standards

<b>UL/cUL 50</b>	File E64358 Type 1, 3, 4X, 12
<b>NEMA 250</b>	Type 1, 3, 4X, 12
<b>CSA Std C22.2</b>	File LR069014 Type 1, 3, 4X, 12
<b>Temperature Range</b>	(-76°F to +274°F) (-60°C to +134°C)
<b>Flammability Rating</b>	UL94-5V
<b>Self Extinguishing</b>	Non-halogenated, Non-flame propagating
<b>Chemical Resistance</b>	Full chemical resistance charts listed in appendix
<b>NFPA No. 101 Flame Spread</b>	Class A (1)

**NOTES:**

## HL Accessories

### Back Panels

<b>Aluminum</b>	BP__AL	pg. 149 - 150
<b>Fiberglass</b>	BP__FG	pg. 149 - 150
<b>Stainless Steel</b>	BP__SS	pg. 149 - 150
<b>Carbon Steel</b>	BP__CS	pg. 149 - 150

### Mounting Feet

<b>Mounting Feet</b>	pg. 157
----------------------	---------

### Accessories

<b>Drain &amp; Breather Vents</b>	pg. 144, 146
<b>Hole Plugs</b>	pg. 145
<b>Assorted Hubs and Cord Grips</b>	pg. 145, 148
<b>All Other Accessories</b>	pg. 144 - 159

## HL Modifications

<b>Custom Colors</b>	pg. 12 - 13
<b>Silk Screening</b>	pg. 12 - 13
<b>EMI/RFI Shielding</b>	pg. 12 - 13
<b>Custom Window</b>	pg. 12 - 13
<b>Custom Cutouts/Holes</b>	pg. 12 - 13

# Technical Specifications - Classic Series

*Opaque cover "HLL" configuration - Hinged, twist latch*



## HLL Construction

<b>Material</b>	Hot compression molded fiberglass reinforced polyester (thermoset)
<b>Gasket</b>	Poured polyurethane seamless gasket provides watertight, dust-tight environmental seal
<b>Recessed Screws</b>	No protruding surfaces
<b>Stainless Steel Hardware</b>	300 Series stainless used on all external hardware
<b>Mounting Bosses</b>	Panel mounting capability for fixed rear panel
<b>Metal Inserts</b>	All bosses utilize threaded brass inserts accepting 10-32 screws
<b>Soft Edge Design</b>	Rounded edges, minimal protrusions or exposed pocket areas for assembly of dust and debris

## HLL Industry Standards

<b>UL/cUL 50</b>	File E64358 Type 1, 3, 4X, 12
<b>NEMA 250</b>	Type 1, 3, 4X, 12
<b>CSA Std C22.2</b>	File LR069014 Type 1, 3, 4X, 12
<b>Temperature Range</b>	(-76°F to +274°F) (-60°C to +134°C)
<b>Flammability Rating</b>	UL94-5V
<b>Self Extinguishing</b>	Non-halogenated, Non-flame propagating
<b>Chemical Resistance</b>	Full chemical resistance charts listed in appendix
<b>NFPA No. 101 Flame Spread</b>	Class A (1)

**NOTES:**

## HLL Accessories

### Back Panels

<b>Aluminum</b>	BP_AL	pg. 149 - 150
<b>Fiberglass</b>	BP_FG	pg. 149 - 150
<b>Stainless Steel</b>	BP_SS	pg. 149 - 150
<b>Carbon Steel</b>	BP_CS	pg. 149 - 150

### Mounting Feet

<b>Mounting Feet</b>	pg. 157
----------------------	---------

### Accessories

<b>Drain &amp; Breather Vents</b>	pg. 144, 146
<b>Hole Plugs</b>	pg. 145
<b>Assorted Hubs and Cord Grips</b>	pg. 145, 148
<b>All Other Accessories</b>	pg. 144 - 159

## HLL Modifications

<b>Custom Colors</b>	pg. 12 - 13
<b>Silk Screening</b>	pg. 12 - 13
<b>EMI/RFI Shielding</b>	pg. 12 - 13
<b>Custom Window</b>	pg. 12 - 13
<b>Custom Cutouts/Holes</b>	pg. 12 - 13

# Technical Specifications - Classic Series

*Opaque cover "HPL" configuration - Hinged, padlock latch*



## HPL Construction

<b>Material</b>	Hot compression molded fiberglass reinforced polyester (thermoset)
<b>Gasket</b>	Poured polyurethane seamless gasket provides watertight, dust-tight environmental seal
<b>Recessed Screws</b>	No protruding surfaces
<b>Stainless Steel Hardware</b>	300 Series stainless used on all external hardware
<b>Mounting Bosses</b>	Panel mounting capability for fixed rear panel
<b>Metal Inserts</b>	All bosses utilize threaded brass inserts accepting 10-32 screws
<b>Soft Edge Design</b>	Rounded edges, minimal protrusions or exposed pocket areas for assembly of dust and debris

## HPL Industry Standards

<b>UL/cUL 50</b>	File E64358 Type 1, 3, 4X, 12
<b>NEMA 250</b>	Type 1, 3, 4X, 12
<b>CSA Std C22.2</b>	File LR069014 Type 1, 3, 4X, 12
<b>Temperature Range</b>	(-76°F to +274°F) (-60°C to +134°C)
<b>Flammability Rating</b>	UL94-5V
<b>Self Extinguishing</b>	Non-halogenated, Non-flame propagating
<b>Chemical Resistance</b>	Full chemical resistance charts listed in appendix
<b>NFPA No. 101 Flame Spread</b>	Class A (1)

**NOTES:**

## HPL Accessories

### Back Panels

<b>Aluminum</b>	BP_AL	pg. 149 - 150
<b>Fiberglass</b>	BP_FG	pg. 149 - 150
<b>Stainless Steel</b>	BP_SS	pg. 149 - 150
<b>Carbon Steel</b>	BP_CS	pg. 149 - 150

### Mounting Feet

<b>Mounting Feet</b>	pg. 157
----------------------	---------

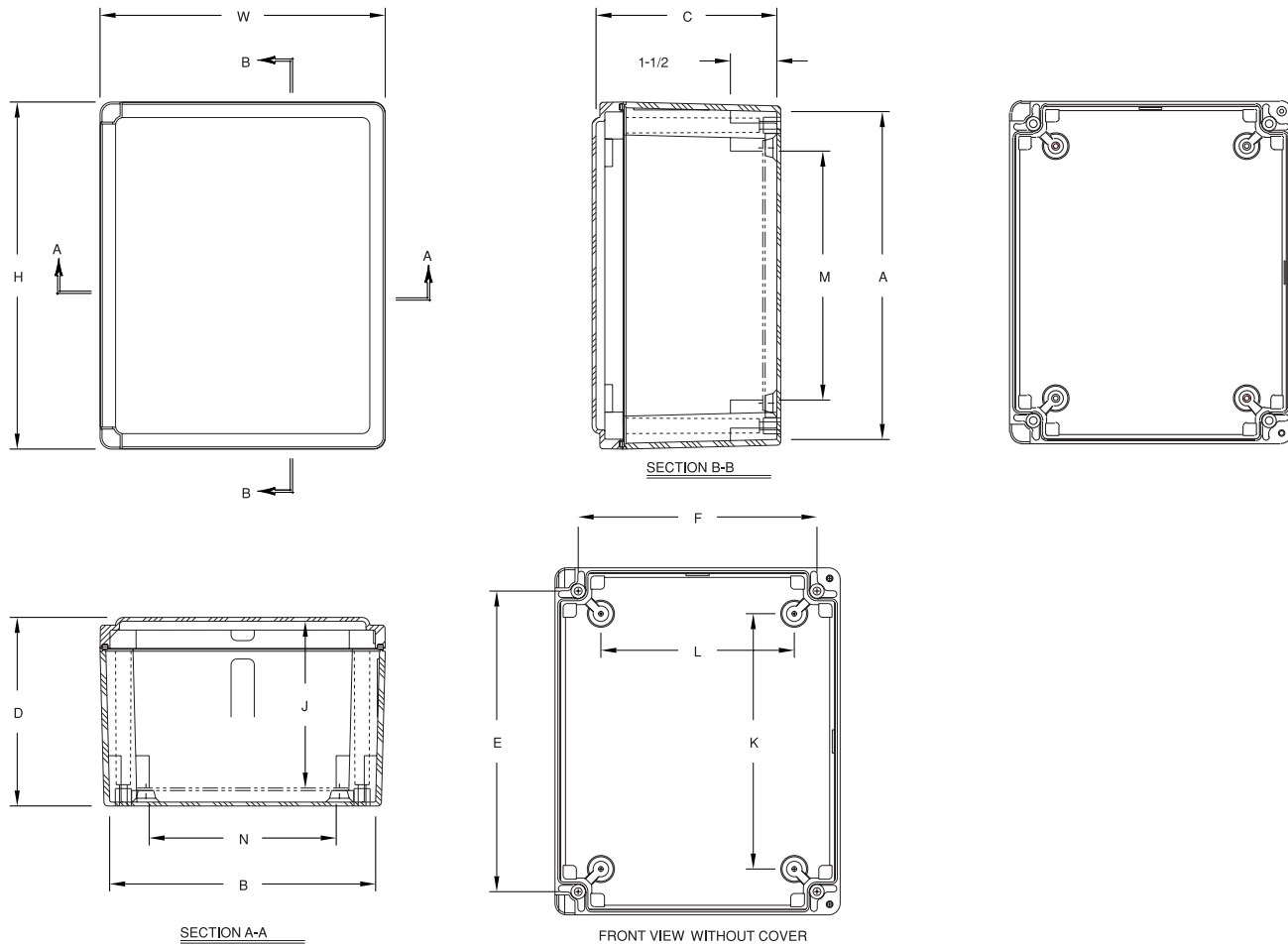
### Accessories

<b>Drain &amp; Breather Vents</b>	pg. 144, 146
<b>Hole Plugs</b>	pg. 145
<b>Assorted Hubs and Cord Grips</b>	pg. 145, 148
<b>All Other Accessories</b>	pg. 144 - 159

## HPL Modifications

<b>Custom Colors</b>	pg. 12 - 13
<b>Silk Screening</b>	pg. 12 - 13
<b>EMI/RFI Shielding</b>	pg. 12 - 13
<b>Custom Window</b>	pg. 12 - 13
<b>Custom Cutouts/Holes</b>	pg. 12 - 13

Classic Series Technical Drawings



Classic Series Opaque Cover Enclosures

SIZE ID NUMBER	OVERALL H X W X D	INSIDE A X B X C	MOUNTING E X F	J	K	L	M	N	SHIPPING WEIGHT	PANEL NUMBER
CL707W CL707HW CL707HL CL707HPL	7.21 x 7.21 x 5.09 (183 x 183 x 129)	6.65 x 6.65 x 4.84 (169 x 169 x 123)	5.71 x 5.71 (145 x 145)	4.39 (111)	4.25 (108)	4.25 (108)	4.04 (103)	4.04 (103)	3.5 lbs.	BP66*
CL907W CL907HW CL907HL CL907HPL	9.21 x 7.21 x 5.09 (234 x 183 x 129)	8.59 x 6.59 x 4.84 (218 x 167 x 123)	7.71 x 5.71 (196 x 145)	4.39 (111)	6.25 (159)	4.25 (108)	6.04 (154)	4.04 (103)	4.2 lbs.	BP86*
CL1109W CL1109HW CL1109HL CL1109HPL	11.21 x 9.21 x 6.09 (285 x 234 x 155)	10.59 x 8.59 x 5.84 (269 x 218 x 148)	9.71 x 7.71 (247 x 196)	5.39 (137)	8.25 (210)	6.25 (159)	8.04 (204)	6.04 (154)	5.9 lbs.	BP108*
CL1311W CL1311HW CL1311HL CL1311HLL CL1311HPL	13.21 x 11.21 x 6.59 (336 x 285 x 167)	12.59 x 10.59 x 6.34 (320 x 269 x 161)	11.71 x 9.71 (298 x 247)	5.89 (150)	10.25 (260)	8.25 (210)	10.04 (255)	8.04 (204)	7.6 lbs.	BP1210*
CL1513W CL1513HW CL1513HL CL1513HLL CL1513HPL	15.21 x 13.21 x 7.09 (386 x 336 x 180)	14.55 x 12.55 x 6.84 (370 x 319 x 174)	13.71 x 11.71 (348 x 298)	6.39 (162)	12.25 (311)	10.25 (260)	12.04 (306)	10.04 (255)	11.4 lbs.	BP1412*

Note: Hinged Short Side available; consult factory for details.  
 All measures are in inches, items in parentheses are in millimeters.  
 \*Panel ordered separately.



W

# Technical Specifications - Classic Window Series

CLW

Flush Bonded Window "W" configuration - 4 cover screws, lift off cover



## W Construction

<b>Material</b>	Hot compression molded fiberglass reinforced polyester (thermoset)
<b>Gasket</b>	Poured polyurethane seamless gasket provides watertight, dust-tight environmental seal
<b>Recessed Screws</b>	No protruding surfaces
<b>Stainless Steel Hardware</b>	300 Series stainless used on all hardware
<b>Mounting Bosses</b>	Panel mounting capability for fixed rear panel
<b>Metal inserts</b>	All bosses utilize threaded brass inserts accepting 10-32 screws
<b>Soft Edge Design</b>	Rounded edges, minimal protrusions or exposed pocket areas for assembly of dust and debris
<b>Bonded Window</b>	Precision routed flush bonded Super Abrasion Resistant acrylic material for maximum visibility

## W Industry Standards

<b>UL/cUL 50</b>	File E64358 Type 1, 3, 4X, 12
<b>NEMA 250</b>	Type 1, 3, 4X, 12
<b>CSA Std C22.2</b>	File LR069014 Type 1, 3, 4X, 12
<b>Temperature Range</b>	(-76° F to +274°F) (-60°C to +134°C)
<b>Flammability Rating</b>	UL94-5V
<b>Window Temperature Range</b>	(-26°F to +170°F) (-32°C to +76°C)
<b>Window Flammability Rating</b>	UL94-HB
<b>Self Extinguishing</b>	Non-halogenated, Non-flame propagating
<b>Chemical Resistance</b>	Full chemical resistance charts listed in appendix
<b>NFPA No. 101 Flame Spread</b>	Class A (1)

**NOTES:**

## W Accessories

### Back Panels

<b>Aluminum</b>	BP_AL	pg. 149 - 150
<b>Fiberglass</b>	BP_FG	pg. 149 - 150
<b>Stainless Steel</b>	BP_SS	pg. 149 - 150
<b>Carbon Steel</b>	BP_CS	pg. 149 - 150

### Mounting Feet

<b>Mounting Feet</b>	pg. 157
----------------------	---------

### Accessories

<b>Drain &amp; Breather Vents</b>	pg. 144, 146
<b>Hole Plugs</b>	pg. 145
<b>Assorted Hubs and Cord Grips</b>	pg. 145, 148
<b>All Other Accessories</b>	pg. 144 - 159

## W Modifications

<b>Custom Colors</b>	pg. 12 - 13
<b>Silk Screening</b>	pg. 12 - 13
<b>EMI/RFI Shielding</b>	pg. 12 - 13
<b>Custom Window</b>	pg. 12 - 13
<b>Custom Cutouts/Holes</b>	pg. 12 - 13



# Technical Specifications - Classic Window Series

CLW

*Flush Bonded Window "HW" configuration - Hinged, 2 cover screws*



## HW Construction

<b>Material</b>	Hot compression molded fiberglass reinforced polyester (thermoset)
<b>Gasket</b>	Poured polyurethane seamless gasket provides watertight, dust-tight environmental seal
<b>Recessed Screws</b>	No protruding surfaces
<b>Stainless Steel Hardware</b>	300 Series stainless used on all hardware
<b>Mounting Bosses</b>	Panel mounting capability for fixed rear panel
<b>Metal inserts</b>	All bosses utilize threaded brass inserts accepting 10-32 screws
<b>Soft Edge Design</b>	Rounded edges, minimal protrusions or exposed pocket areas for assembly of dust and debris
<b>Bonded Window</b>	Precision routed flush bonded Super Abrasion Resistant acrylic material for maximum visibility

## HW Industry Standards

<b>UL/cUL 50</b>	File E64358 Type 1, 3, 4X, 12
<b>NEMA 250</b>	Type 1, 3, 4X, 12
<b>CSA Std C22.2</b>	File LR069014 Type 1, 3, 4X, 12
<b>Temperature Range</b>	(-76° F to +274°F) (-60°C to +134°C)
<b>Flammability Rating</b>	UL94-5V
<b>Window Temperature Range</b>	(-26°F to +170°F) (-32°C to +76°C)
<b>Window Flammability Rating</b>	UL94-HB
<b>Self Extinguishing</b>	Non-halogenated, Non-flame propagating
<b>Chemical Resistance</b>	Full chemical resistance charts listed in appendix
<b>NFPA No. 101 Flame Spread</b>	Class A (1)

**NOTES:**

## HW Accessories

### Back Panels

<b>Aluminum</b>	BP_AL	pg. 149 - 150
<b>Fiberglass</b>	BP_FG	pg. 149 - 150
<b>Stainless Steel</b>	BP_SS	pg. 149 - 150
<b>Carbon Steel</b>	BP_CS	pg. 149 - 150

### Mounting Feet

<b>Mounting Feet</b>	pg. 157
----------------------	---------

### Accessories

<b>Drain &amp; Breather Vents</b>	pg. 144, 146
<b>Hole Plugs</b>	pg. 145
<b>Assorted Hubs and Cord Grips</b>	pg. 145, 148
<b>All Other Accessories</b>	pg. 144 - 159

## HW Modifications

<b>Custom Colors</b>	pg. 12 - 13
<b>Silk Screening</b>	pg. 12 - 13
<b>EMI/RFI Shielding</b>	pg. 12 - 13
<b>Custom Window</b>	pg. 12 - 13
<b>Custom Cutouts/Holes</b>	pg. 12 - 13

# Technical Specifications - Classic Window Series

## Flush Bonded Window "HLL" configuration - Hinged, twist latch



### HLL Construction

<b>Material</b>	Hot compression molded fiberglass reinforced polyester (thermoset)
<b>Gasket</b>	Poured polyurethane seamless gasket provides watertight, dust-tight environmental seal
<b>Recessed Screws</b>	No protruding surfaces
<b>Stainless Steel Hardware</b>	300 Series stainless used on all hardware
<b>Mounting Bosses</b>	Panel mounting capability for fixed rear panel
<b>Metal inserts</b>	All bosses utilize threaded brass inserts accepting 10-32 screws
<b>Soft Edge Design</b>	Rounded edges, minimal protrusions or exposed pocket areas for assembly of dust and debris
<b>Bonded Window</b>	Precision routed flush bonded Super Abrasion Resistant acrylic material for maximum visibility

### HLL Industry Standards

<b>UL/cUL 50</b>	File E64358 Type 1, 3, 4X, 12
<b>NEMA 250</b>	Type 1, 3, 4X, 12
<b>CSA Std C22.2</b>	File LR069014 Type 1, 3, 4X, 12
<b>Temperature Range</b>	(-76° F to +274°F) (-60°C to +134°C)
<b>Flammability Rating</b>	UL94-5V
<b>Window Temperature Range</b>	(-26°F to +170°F) (-32°C to +76°C)
<b>Window Flammability Rating</b>	UL94-HB
<b>Self Extinguishing</b>	Non-halogenated, Non-flame propagating
<b>Chemical Resistance</b>	Full chemical resistance charts listed in appendix
<b>NFPA No. 101 Flame Spread</b>	Class A (1)

### HLL Accessories

#### Back Panels

<b>Aluminum</b>	BP_AL	pg. 149 - 150
<b>Fiberglass</b>	BP_FG	pg. 149 - 150
<b>Stainless Steel</b>	BP_SS	pg. 149 - 150
<b>Carbon Steel</b>	BP_CS	pg. 149 - 150

#### Mounting Feet

<b>Mounting Feet</b>	pg. 157
----------------------	---------

#### Accessories

<b>Drain &amp; Breather Vents</b>	pg. 144, 146
<b>Hole Plugs</b>	pg. 145
<b>Assorted Hubs and Cord Grips</b>	pg. 145, 148
<b>All Other Accessories</b>	pg. 144 - 159

### HLL Modifications

<b>Custom Colors</b>	pg. 12 - 13
<b>Silk Screening</b>	pg. 12 - 13
<b>EMI/RFI Shielding</b>	pg. 12 - 13
<b>Custom Window</b>	pg. 12 - 13
<b>Custom Cutouts/Holes</b>	pg. 12 - 13

### NOTES:

# Technical Specifications - Classic Window Series

"HPL" configuration - Hinged, padlock latch



**NOTES:**

**HPL Construction**

<b>Material</b>	Hot compression molded fiberglass reinforced polyester (thermoset)
<b>Gasket</b>	Poured polyurethane seamless gasket provides watertight, dust-tight environmental seal
<b>Recessed Screws</b>	No protruding surfaces
<b>Stainless Steel Hardware</b>	300 Series stainless used on all hardware
<b>Mounting Bosses</b>	Panel mounting capability for fixed rear panel
<b>Metal inserts</b>	All bosses utilize threaded brass inserts accepting 10-32 screws
<b>Soft Edge Design</b>	Rounded edges, minimal protrusions or exposed pocket areas for assembly of dust and debris
<b>Bonded Window</b>	Precision routed flush bonded Super Abrasion Resistant acrylic material for maximum visibility

**HPL Industry Standards**

<b>UL/cUL 50</b>	File E64358 Type 1, 3, 4X, 12
<b>NEMA 250</b>	Type 1, 3, 4X, 12
<b>CSA Std C22.2</b>	File LR069014 Type 1, 3, 4X, 12
<b>Temperature Range</b>	(-76° F to +274°F) (-60°C to +134°C)
<b>Flammability Rating</b>	UL94-5V
<b>Window Temperature Range</b>	(-26°F to +170°F) (-32°C to +76°C)
<b>Window Flammability Rating</b>	UL94-HB
<b>Self Extinguishing</b>	Non-halogenated, Non-flame propagating
<b>Chemical Resistance</b>	Full chemical resistance charts listed in appendix
<b>NFPA No. 101 Flame Spread</b>	Class A (1)

**HPL Accessories**

**Back Panels**

<b>Aluminum</b>	BP_AL	pg. 149 - 150
<b>Fiberglass</b>	BP_FG	pg. 149 - 150
<b>Stainless Steel</b>	BP_SS	pg. 149 - 150
<b>Carbon Steel</b>	BP_CS	pg. 149 - 150

**Mounting Feet**

<b>Mounting Feet</b>	pg. 157
----------------------	---------

**Accessories**

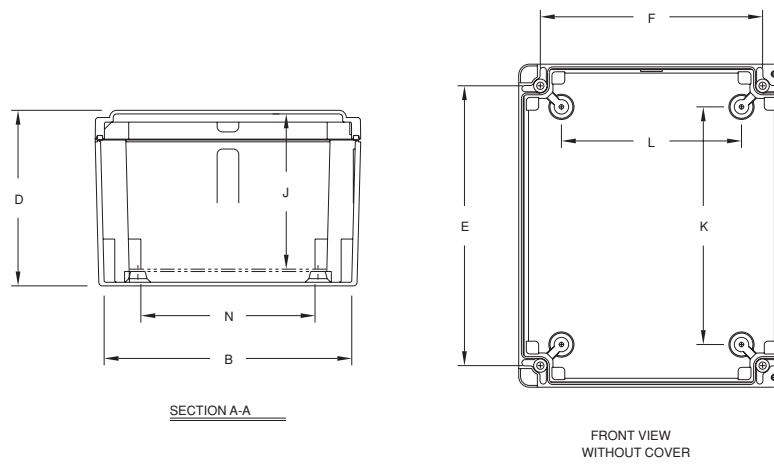
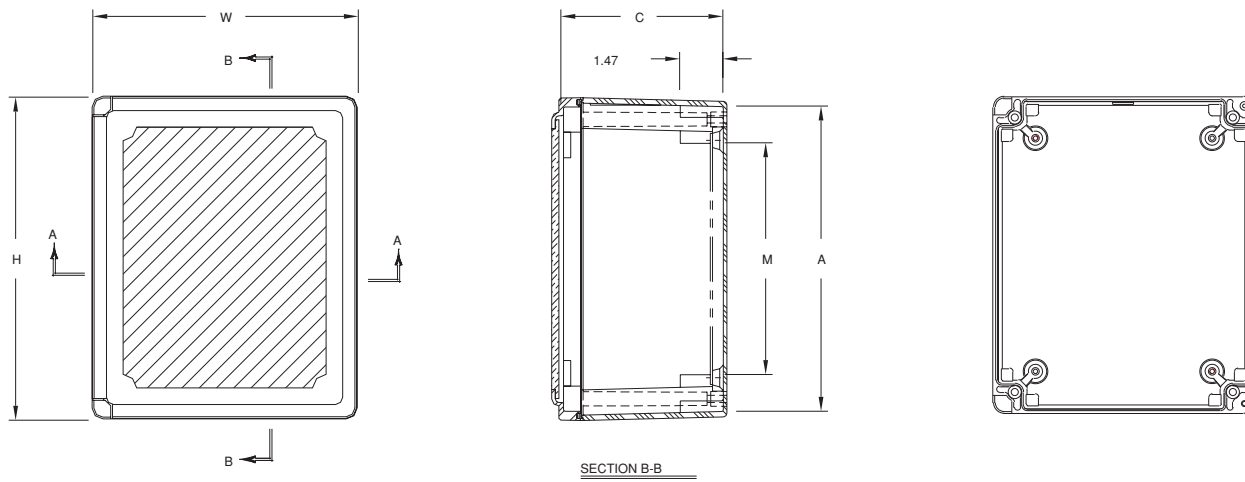
<b>Drain &amp; Breather Vents</b>	pg. 144, 146
<b>Hole Plugs</b>	pg. 145
<b>Assorted Hubs and Cord Grips</b>	pg. 145, 148
<b>All Other Accessories</b>	pg. 144 - 159

**HPL Modifications**

<b>Custom Colors</b>	pg. 12 - 13
<b>Silk Screening</b>	pg. 12 - 13
<b>EMI/RFI Shielding</b>	pg. 12 - 13
<b>Custom Window</b>	pg. 12 - 13
<b>Custom Cutouts/Holes</b>	pg. 12 - 13



Classic Window Series Technical Drawings



## Classic Window Series Flush Bonded Window Enclosures

### Classic Window Series Flush Bonded Window Enclosures

SIZE ID NUMBER	OVERALL H X W X D	INSIDE A X B X C	WINDOW AREA [MAXIMUM]	MOUNTING E X F	J	K	L	M	N	SHIPPING WEIGHT	PANEL NUMBER
CLW707HW CLW707HPL	7.21 x 7.21 x 5.09 (183 x 183 x 129)	6.65 x 6.65 x 4.84 (169 x 169 x 123)	5.06 x 5.06 (129 x 129)	5.71 x 5.71 (145 x 145)	4.39 (111)	4.25 (108)	4.25 (108)	4.04 (103)	4.04 (103)	4 lbs.	BP66*
CLW907HW CLW907HPL	9.21 x 7.21 x 5.09 (234 x 183 x 129)	8.59 x 6.59 x 4.84 (218 x 167 x 123)	7.06 x 5.06 (179 x 129)	7.71 x 5.71 (196 x 145)	4.39 (111)	6.25 (159)	4.25 (108)	6.04 (154)	4.04 (103)	4.3 lbs.	BP86*
CLW1109HW CLW1109HPL	11.21 x 9.21 x 6.09 (285 x 234 x 155)	10.59 x 8.59 x 5.84 (269 x 218 x 148)	9.06 x 7.06 (230 x 179)	9.71 x 7.71 (247 x 196)	5.39 (137)	8.25 (210)	6.25 (159)	8.04 (204)	6.04 (154)	6 lbs.	BP108*
CLW1311W CLW1311HW CLW1311HLL CLW1311HPL	13.21 x 11.21 x 6.59 (336 x 285 x 167)	12.59 x 10.59 x 6.34 (320 x 269 x 161)	11.06 x 9.06 (281 x 230)	11.71 x 9.71 (298 x 247)	5.89 (150)	10.25 (260)	8.25 (210)	10.04 (255)	8.04 (204)	7.8 lbs.	BP1210*
CLW1513HW CLW1513HLL CLW1513HPL	15.21 x 13.21 x 7.09 (386 x 336 x 180)	14.55 x 12.55 x 6.84 (370 x 319 x 174)	13.06 x 11.06 (332 x 281)	13.71 x 11.71 (348 x 298)	6.39 (162)	12.25 (311)	10.25 (260)	12.04 (306)	10.04 (255)	11.6 lbs.	BP1412*

Note: Hinge Short Side available; consult factory for details.

All measures are in inches, items in parentheses are in millimeters.

\*Panel ordered separately.